

# CMA Serie

Push-Pull or Quick-Releasable Connector



... For an optimum data transfer in  
harsh environments !

Catalog





## ◆ Description

BERNIER designed the CMA line specially for equipment in harsh environments. The CMA connectors are available equipped with 04, 06, 10, 14 and 22 contacts, their toughness and ergonomics are appreciated in a wide range of applications.

## ◆ Applications



Radios



Accessories



Intercoms



Crypted data

Push-Pull

Ergonomics

Stainless steel

EMI RFI Protection

Multi-Contacts

Watertightness



Optronic devices



Future soldier



Ruggedized computers



Tactical equipments



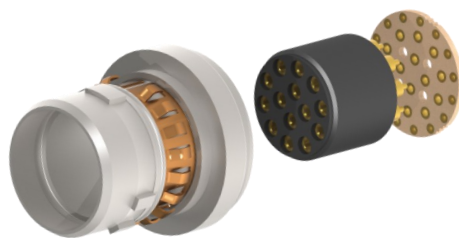
## ◆ The Right Solution for your projects

CMA connectors are appreciated for their flexibility to fit customer specifications.

Our Design team is able to propose versions answering to your needs. Reinforcements can be applied in case of use in harder climatic, ergonomic and electromagnetic conditions.

The CMA line evolution led by BERNIER has come to integrate electronic modules in the connector shell to carry wireless functions or to make adaptators towards other industrial or military connectors.

Caps and backshells can also be improved to bring a better ergonomics on your configuration.



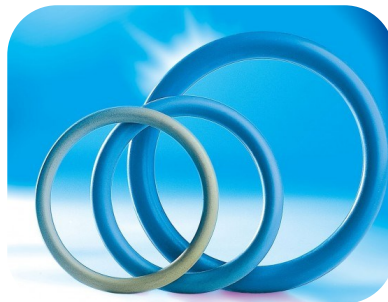
## ◆ EMC reinforcements

Options are available in order to reinforce the EMC specifications.



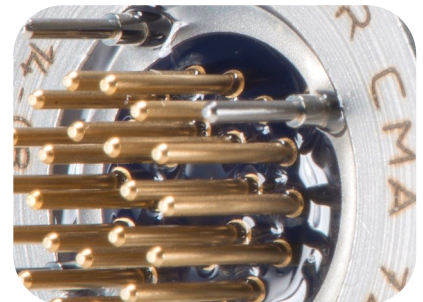
Ground ring « 360° »

CMA standard receptacles are equipped with a ground ring giving a high EMC level. This function developed by Bernier brings a better continuity between the connectors shells and a protection on 360°



Conductive O rings

The receptacle Fluorosilicon Oring can be switched to a conductive version to establish a better conductivity between the connector and the panel.



Ground pin

One or several ground pins inserted in the connector shell can be set to link the chassis ground directly to the PCB.



**BERNIER**

CMA

## ◆ Climatic and mechanical characteristics

	Push-Pull version	'L' Quick releasable Version
Unlocking system	Manual action on ring	Axial force ( $30N \leq F \leq 70N$ )
Operating temperature Range	-55°C to +125°C	
Endurance	10 000 operations 5000 operations (22 contacts)	2000 Operations
Sealing performance	IP68 (Mated and unmated)	
Corrosion resistance	Salt fog : 96 hours, 250 hours, 500 hours depending material	
Vibration	55 Hz to 2000 Hz, 10g (6 hours)	
Fluids resistance	Oils and hydrocarbons	

The Push-Pull version and the quick-releasable version mate on the same receptacle

## ◆ Electrical characteristics

	04 contacts version	06 contacts version	10,14 contacts version	22 contacts version
Working voltage	100 V <sub>max</sub>		60 V <sub>max</sub>	
Current rating per contact	4 A <sub>max</sub>	4 A <sub>max</sub> (2cts) 1,5 A <sub>max</sub> (4cts)	1,5 A <sub>max</sub>	2 A <sub>max</sub>
Gauge (AWG)	18	18 (2cts) 22 (4cts)	22	26
Contact type	Solder buckets / For PCB			
Contact resistance	≤ 10 mOhms			
Insulation resistance	>1000 MOhms under 500 V <sub>DC</sub>			
Crosstalk	80 dB at 8 kHz			-
Dielectric	500 V <sub>AC RMS</sub> at 50 Hz			
EMI RFI Protection	Yes			

## ◆ Material and plating

	Matériaux	Plating
Connector shell	Stainless steel Navy stainless steel / Bronze	Sandblasting or Black Chrome
Insulator	Thermosetting (04,06,10,14 cts) PBT (22 cts)	-
Contacts	Copper alloy	Gold over nickel
Ground ring	Beryllium Copper	-
Backshell shell	Aluminium alloy	Black Chrome or Black Anodizing





## ◆ Connectors

Type	Weight (Max)
CMA 1 (Extension)	20 g
CMA 3 (Panel through)	23 g
CMA 5 (Push-Pull plug)	30 g
CMA 6 (Dummy receptacle)	16 g
CMA 7 (Receptacle)	18.5 g

Stainless steel version

## ◆ Elbow parts

Type	Weight (Max)
CMA RA8	21 g
CMA RA82	18 g

## ◆ Elbow and straight backshells

Type	Weight (Max)
CMA RAI-XX	9.6 g
CMA RA7-XX	26 g
CMA RA18-XX	14 g
CMA RA09-XX	6 g
CMA RA81-XX	28 g

## ◆ Caps

Type	Weight (Max)
Thermoplastic plug cap (CMA BA06 ...)	4.5 g
Metallic plug cap (CMA BA65 ...)	12 g
Elastomer extension cap (CMA BA94 ...)	6 g
Elastomer receptacle cap (CMA BA86-35MC ...)	6 g
Metallic receptacle cap (CMA BA73 ...)	38 g

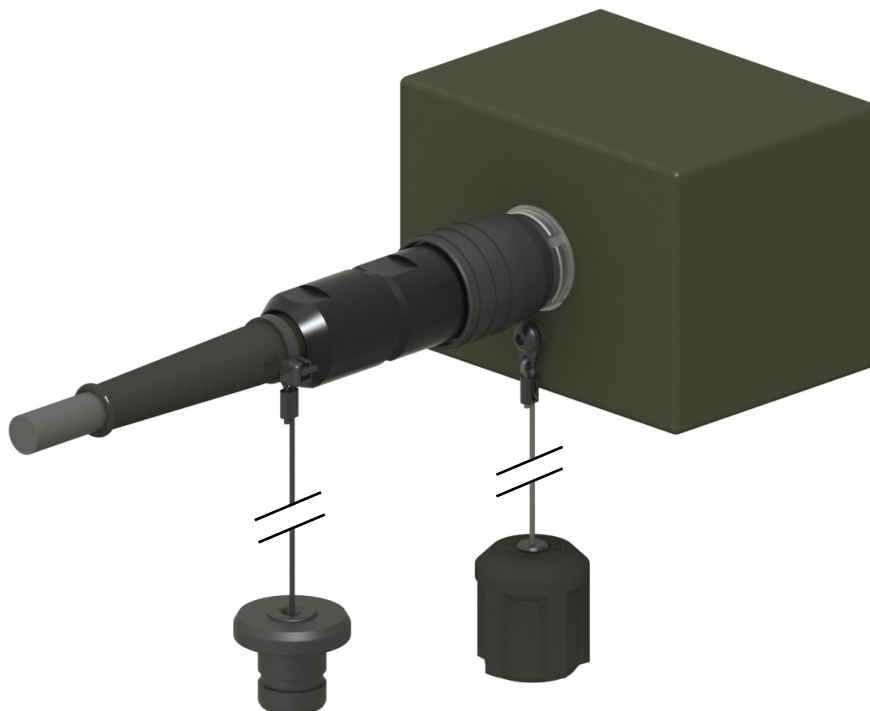


## ◆ Compatibility matrix

	Extension Type 1	Panel through Type 3	Dummy receptacle Type 6	Receptacle Types 7 and R7	Elbow part 90°	Elbow part 105°	Straight backshell	Elbow backshell 90°	Thermo-plastic plug cap	Metallic plug cap
Plug Type 5	●	●	●	●	●	●	●	●	●	●
Panel plug Types 11,18	●	●	●	●	-	-	-	-	●	●
Elbow part 90°	●	●	-	-	-	-	●	-	-	-
Elbow part 105°	●	●	-	-	-	-	●	-	-	-
Straight backshell	●	●	-	-	●	●	-	-	-	-
Elbow backshell 90°	●	●	-	-	-	-	-	-	-	-
Elastomer cap	●	●	●	●	-	-	-	-	-	-
Metallic cap	●	●	●	●	-	-	-	-	-	-



**Attention :** The mating connectors must have the same number of contacts and the same keyway.  
**Special case :** A 10 contacts plug can mate a 14 contacts receptacle.



# Keyways



BERNIER

CMA



Front view

Receptacle

Plug

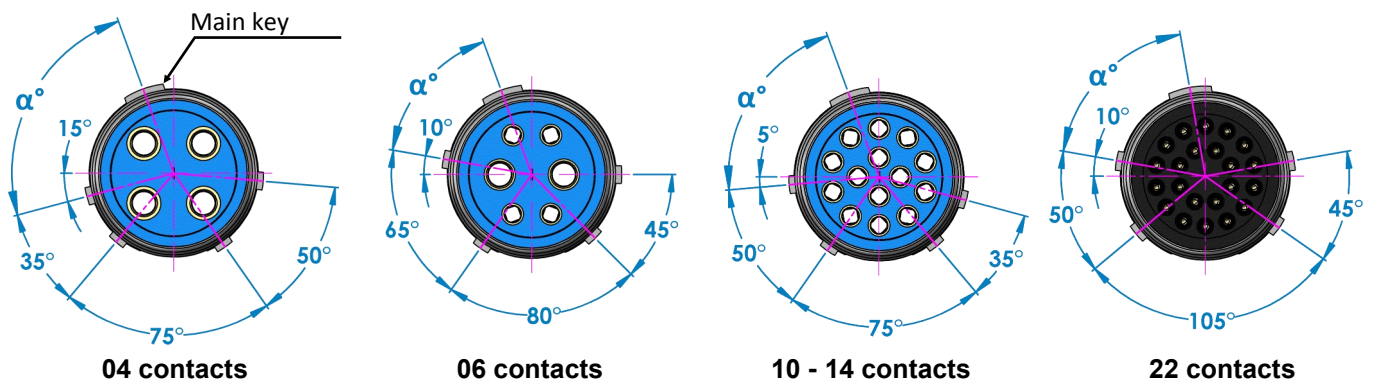
The keyways depend on the main key position. Positions of the 4 small keys, contacts and flats of the receptacle remain the same.

		Keyways						
		N	W	X	Y	Z	P*	T
Angle $\alpha$	04 contacts	105°	95°	115°	85°	125°	-	**
	06 contacts	80°	70°	90°	60°	100°	-	**
	10-14 contacts	95°	85°	105°	75°	115°	138°	**
	22 contacts	80°	70°	90°	60°	100°	-	**

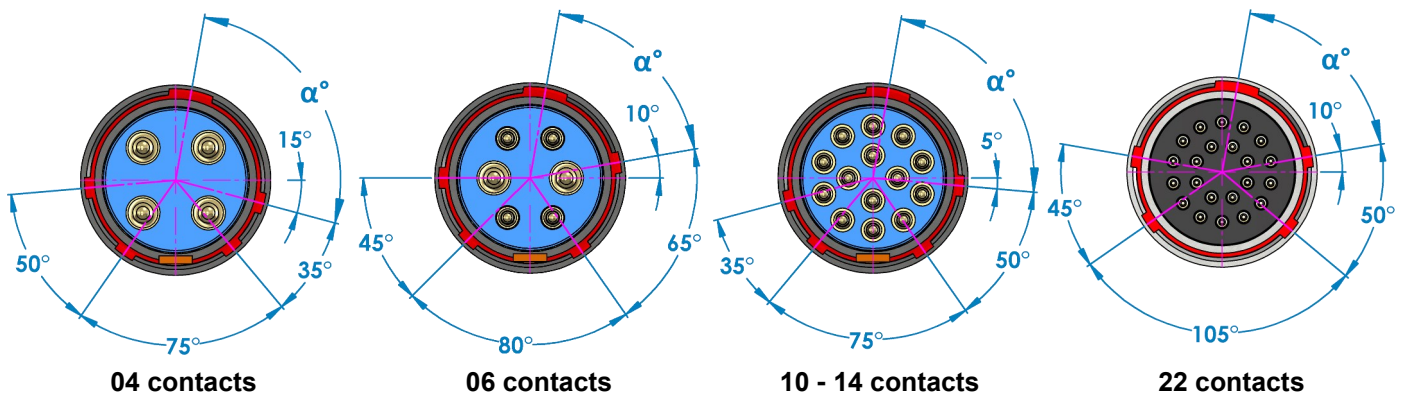
\* Keyway P allows the possibility to make 'double keyways' plug ex: CMA 5NP14 mating a N keyway receptacle AND a P keyway receptacle

\*\* Keyway T mates with all keyways—tooling.

## Receptacle - Extension



## Plug







BERNIER

CMA

◆ Items mounted on cable

Straight backshell with sleeve



Straight backshell



Elbow backshell 90°



Elbow part 90°  
Option



Elbow part 105°  
Option



Push-Pull Plug  
Type 5



Quick-releasable plug  
Type 5



Extension  
Type 1



Thermo-plastic plug cap



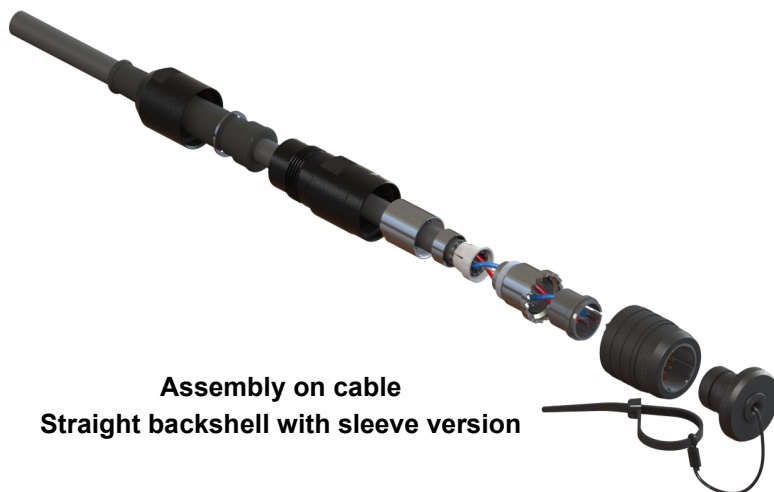
Metallic plug cap



Elastomer extension cap



Metallic extension cap



Assembly on cable  
Straight backshell with sleeve version



A backshell (necessary for cable assembling) must be ordered at the same time than a connector and the reverse

◆ **Items mounted on panel**

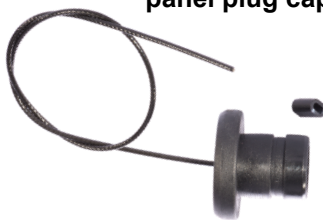
**Elastomer receptacle cap**



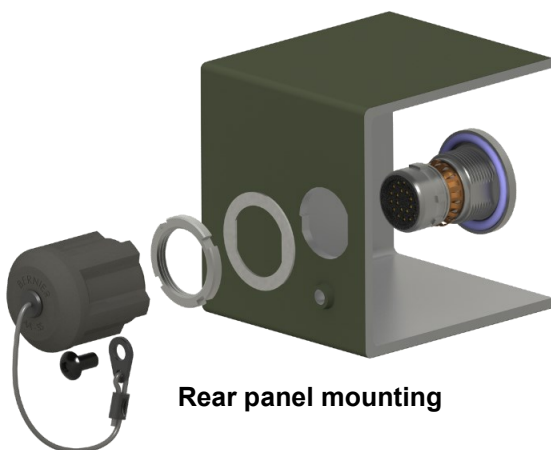
**Push-pull metallic receptacle cap**



**Thermo-plastic panel plug cap**



**Metallic panel plug cap**



**Rear panel mounting**

**Rear panel mounting**

**Receptacle Type 7**



**Dummy receptacle Type 6**



**Panel through \* Type 3**



**Panel plug without locking Type 11**



**Quick-releasable panel plug Type 19**



**Shutter**



**Front panel mounting**

**Receptacle Type R7**



**Push-Pull panel plug Type 18**



**Quick-releasable panel plug Type 18**



\* can accept backshell (See items mounted on cable)



**BERNIER**

CMA

# Part numbers

## ◆ Connectors

Description	Code	CMA	B	7	N	14	Y1	PM	JC	SM
<b>Serie</b>	CMA	↑								
<b>Aspect :</b> 'Nothing mentioned' : Sandblasted version Black version (by default for type 5)	<b>B</b>		↑							
<b>Locking (Type 5, 18) :</b> 'Nothing mentionned' : Push-pull version Quick-releasable version with spring clip Quick-releasable version without locking	<b>L</b> <b>SC</b>									
<b>Connector Type :</b> Extension Panel Through Plug Dummy receptacle Receptacle Panel Plug	<b>1</b> <b>3</b> <b>5</b> <b>6</b> <b>2, 7, R7</b> <b>11, 17, 18, 19</b>			↑						
<b>Keyways</b>	<b>N, W, X, Y, Z, P, T</b>				↑					
<b>Number of contacts</b>	<b>04, 06, 10, 14, 22</b>					↑				
<b>Contacts :</b> 'Nothing mentionned' : Solder cup For PCB Type 7, R7  For PCB Type 5, 18	<b>Y1, Y1.2, Y1.3, Y2, Y3,</b> <b>Y4, Y4.1, Y4.2 Y8, Y8.1</b> <b>Y, YA</b>						↑			
<b>Ground pin</b> 1 ground pin 4 ground pins	<b>PM</b> <b>PM4S</b>							↑		
<b>Panel Oring, conductive Oring option</b> 'Nothing mentionned' : Fluorosilicon Oring Fluorosilicon charged with Ni/Graph Oring Fluorosilicon charged with Silver/Alu Oring	<b>JC</b> <b>JC1</b>								↑	
<b>Material :</b> 'Nothing mentionned' : Stainless steel Marine stainless steel 250 Hours Salt fog Navy Bronze 500 Hours Salt fog	<b>SM</b> <b>BM</b>									↑



◆ **Elbow parts for types 1, 3, 5**

Description	Code	CMA	RA8
Serie	CMA	↑	↑
Elbow part	RA8, RA82	↑	↑

◆ **Backshell for types 1, 3, 5**

Description	Code	CMA	RA7	-	70
Serie	CMA	↑	↑		↑
Backshell	RA02, RA7, RA18, RA24, RA09, RA81, RAIXX	↑	↑		↑
Outer diameter	See chapter « Elbow part and backshells »				↑

◆ **Caps**

Description	Code	CMA	BA	06	MC	-	200	ST
Serie	CMA	↑						
Caps	BA		↑					
Type of caps	See chapter « Caps »			↑				
Type of fixing : Black covered stainless steel micro-cable 'Nothing mentionned' : Nylon cord	MC				↑			
Fixing length (mm)	See chapter « caps »						↑	
Termination	See chapter « caps »							↑

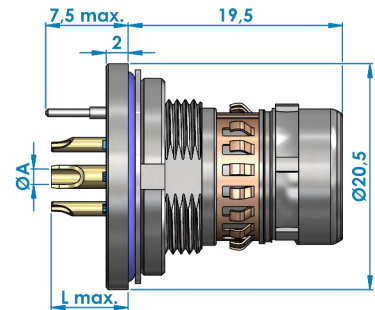


◆ **Type 7 with solder cup contacts**



Ex: CMA 7N06PM

Number of contacts	ΦA	L max
04	AWG 18	7.1
06	AWG 18	7.1
2 contacts	AWG 18	7.1
4 contacts	AWG 22	7.1
10	AWG 22	7.1
14	AWG 22	9.1
22	AWG 26	7.1

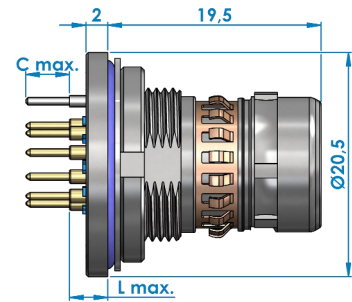


◆ **Type 7 with contacts for PCB**



Ex: CMA 7N10Y1PM

Contact type	L max	C max
Y1	3.5	4
Y1.2	3.5	2.6
Y1.3	3.5	1.5
Y2	9.5	4
Y3	12.5	4
Y4	3.2	2
Y4.1	3.2	1.3
Y4.2	3.2	1.7
Y8	5.5	4
Y8.1	5.5	2.6

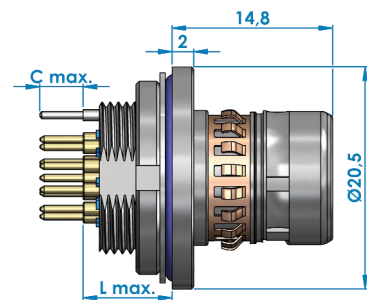


◆ **Type R7 rear panel mounting (can't be dismantled by the outside of the equipment)**



Ex: CMA R7N14Y1PM

Contact type	L max	C max
Y1	8.2	4
Y1.2	8.2	2.6
Y1.3	8.2	1.5
Y2	14.2	4
Y3	17.2	4
Y4	7.9	2
Y4.1	7.9	1.3
Y4.2	7.9	1.7
Y8	10.2	4
Y8.1	10.2	2.6



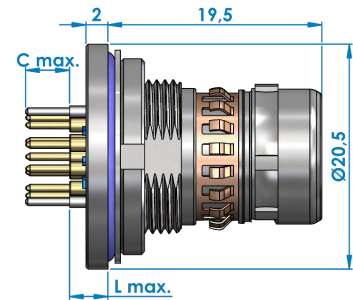
Version R7 with solder cup contacts possible

◆ **Type 7 with 4 ground pins set on 360° 'PM4S'**



Ex: CMA 7N14Y1PM4S

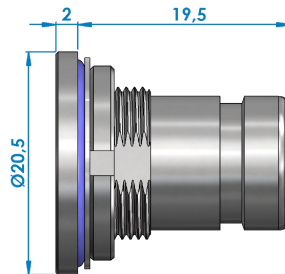
Contact type	L max	C max
Y1	3.5	4
Y1.2	3.5	2.6
Y1.3	3.5	1.5
Y2	9.5	4
Y3	12.5	4
Y4	3.2	2
Y4.1	3.2	1.3
Y4.2	3.2	1.7
Y8	5.5	4
Y8.1	5.5	2.6



◆ **Type 6 for plug fixing, for all plugs**



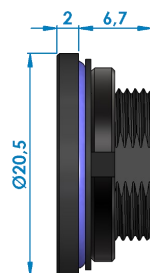
Ex: CMA 6



◆ **Watertight shutter for CMA Type 7 panel cut**



Ex: CMA B598N







CMA

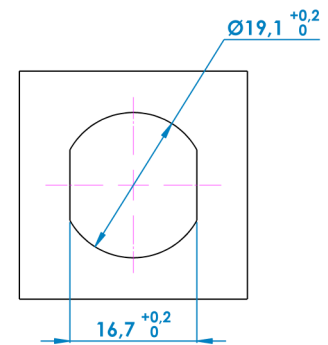
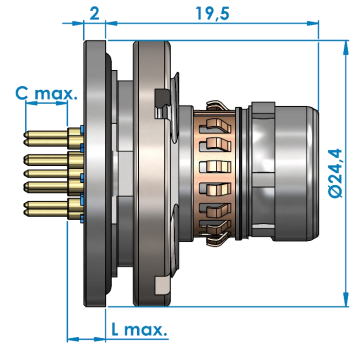
BERNIER

# Receptacles

## ◆ Type 7 fitting the MIL-C-55116 receptacle panel cut



Contact type	L max	C max
Y1	3.5	4
Y1.2	3.5	2.6
Y1.3	3.5	1.5
Y2	9.5	4
Y3	12.5	4
Y4	3.2	2
Y4.1	3.2	1.3
Y4.2	3.2	1.7
Y8	5.5	4
Y8.1	5.5	2.6

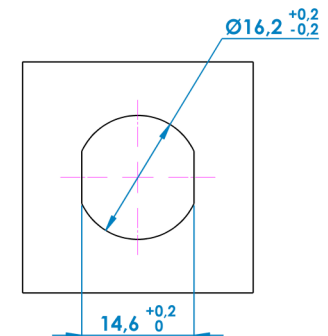
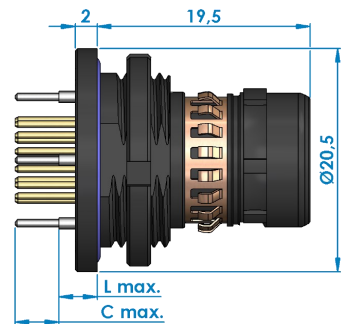


## ◆ Type 2 fitting the Serie JDJ receptacle panel cut with 4 ground pins



Ex: CMA B 2N22Y1PM4

Contact type	L max	C max
Y1	3.5	4
Y2	9.5	4



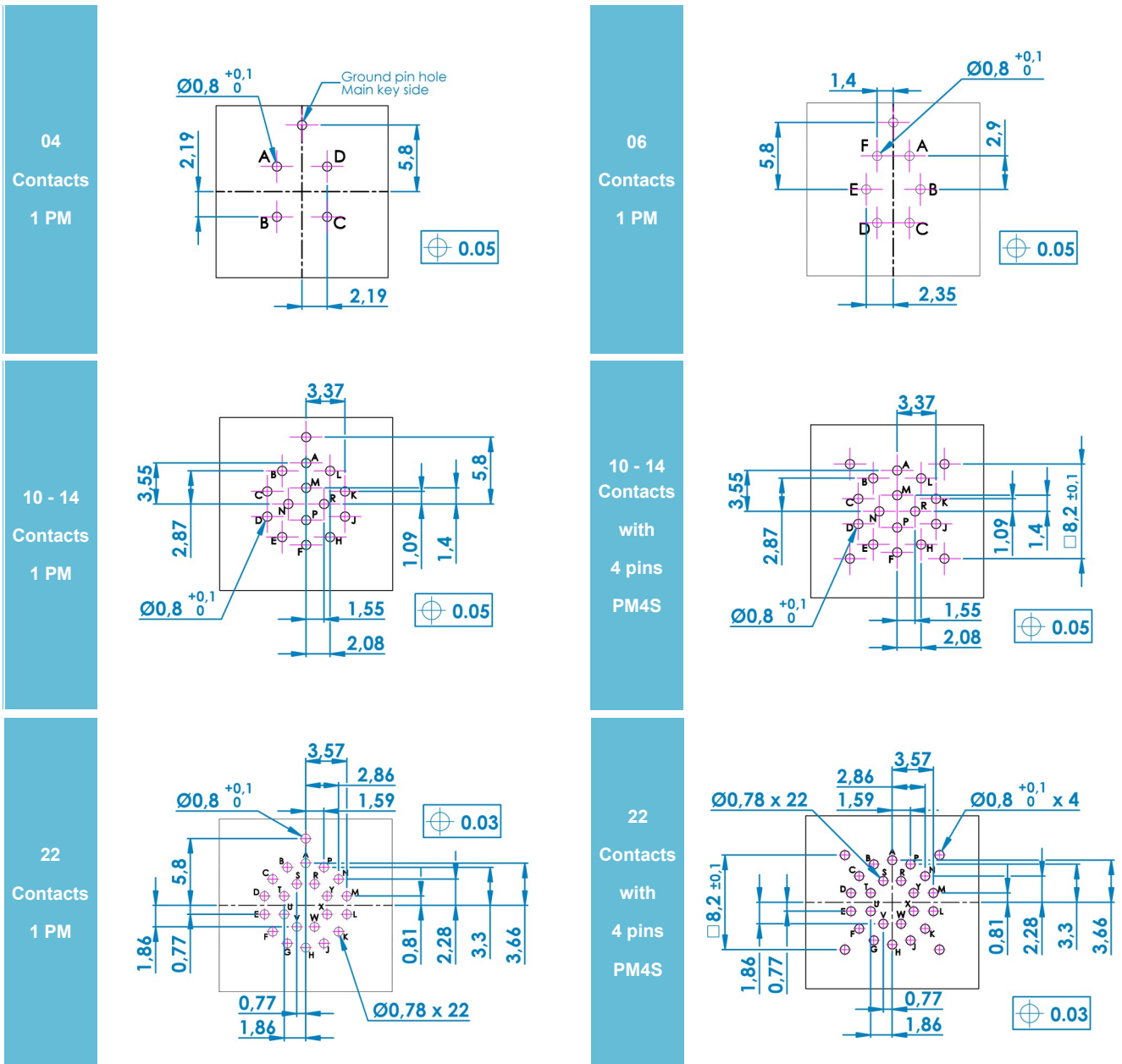
# PCB holing and panel cuts



BERNIER

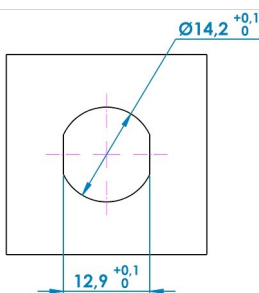
CMA

## ◆ PCB holing, welding side, through pins

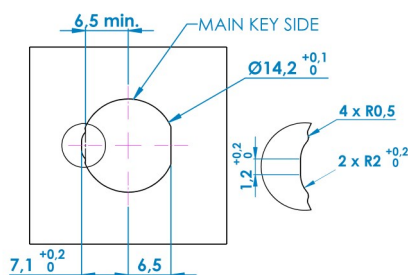


## ◆ Panel cuts for types 7 and R7

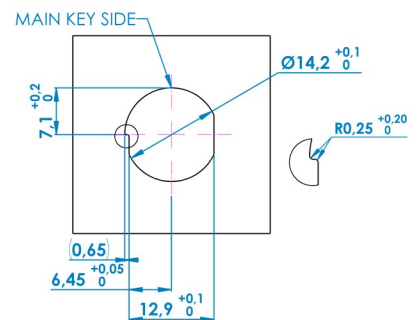
For a receptacle alone  
04, 06, 10, 14 contacts



For several CMA receptacles  
mounted on 1 PCB



For 22cts receptacle



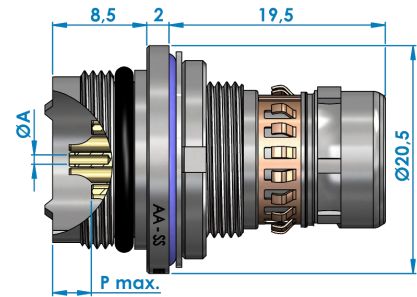
Front view side — Maximum panel thickness for CMA receptacles : 3.5mm



## ◆ Type 3 With solder cup contacts



Number of contacts	$\phi A$	P max
04	AWG 18	5.2
06 (2 contacts) (4 contacts)	AWG 18 AWG 22	5.2 5.2
10	AWG 22	5.2
14	AWG 22	5.2
22	AWG 26	5.5

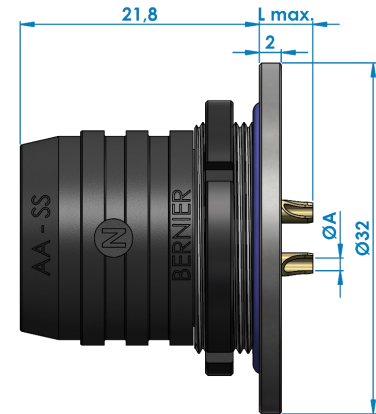


Ex: CMA 3N14

◆ **Type 11 Quick-releasable with solder cup contacts**



Number of contacts	ΦA	L max
04	AWG 18	4.9
06	AWG 18	4.9
2 contacts	AWG 22	4.9
4 contacts	AWG 22	4.9
10	AWG 22	4.9
14	AWG 22	6.9
22	AWG 26	4



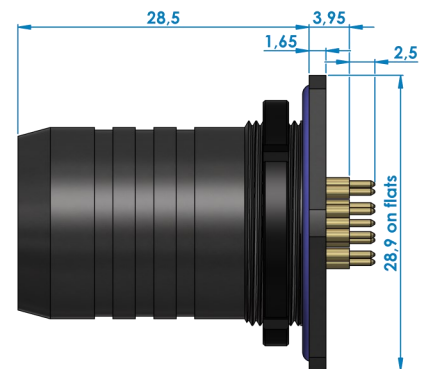
Ex: CMA B L 11N04

*Version 11 Quick-releasable panel plug with contacts for PCB possible*

◆ **Type 11 No locking system with contacts for PCB**



Contact type
Y5

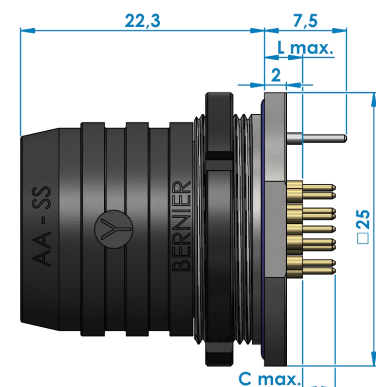


Ex: CMA 11N14Y5

◆ **Type 17 Quick-releasable with contacts for PCB**



Contact type	L max	C max
Y	1.7	1.2
YA	3.7	3.2



Ex: CMA L 17Y14YAPM

*Version 17 Quick-releasable panel plug with solder cup contacts possible*



CMA

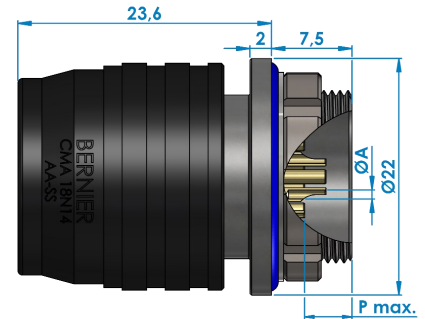
BERNIER

# Panel plugs

## ◆ Type 18 Push-Pull with solder cup contacts



Number of contacts	ΦA	P max
04	AWG 18	4.7
06		
(2 contacts)	AWG 18	4.7
(4 contacts)	AWG 22	4.7
10	AWG 22	4.7
14	AWG 22	4.7
22	AWG 26	7.1



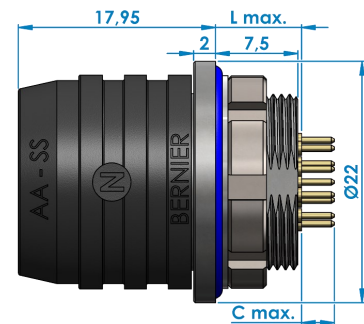
Ex: CMA 18N14

*Version 18 Push-Pull panel plug with contacts for PCB possible*

## ◆ Type 18 Quick-releasable with contacts for PCB



Contact type	L max	C max
Y	6.2	1.2
YA	8.2	3.2



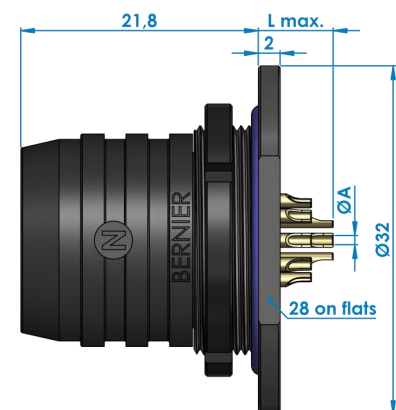
Ex: CMA L 18N14YA

*Version 18 Quick releasable panel plug with solder cup contacts possible*

## ◆ Type 19 Quick-releasable with solder cup contacts



Number of contacts	ΦA	L max
04	AWG 18	5
06		
(2 contacts)	AWG 18	5
(4 contacts)	AWG 22	5
10	AWG 22	5
14	AWG 22	7
22	AWG 26	3.9



Ex: CMA B L 19N14

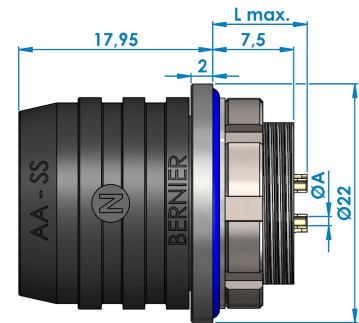
*Version 19 Quick-releasable panel plug with contacts for PCB possible*



◆ Type 18 Quick-Releasable 'SC' No locking system with solder cup contacts



Number of contacts	ΦA	L max
04	AWG 18	8.9
06		
(2 contacts)	AWG 18	8.9
(4 contacts)	AWG 22	8.9
10	AWG 22	8.9
14	AWG 22	11
22	AWG 26	7.9



Ex: CMA SC 18N06

*Version 18 No locking system with contacts for PCB possible*



**BERNIER**

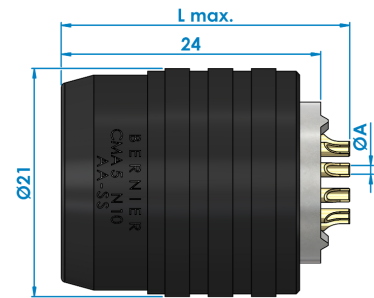
CMA

## ◆ Type 5 Push-Pull plug with solder cup contacts



Ex: CMA 5N10

Number of contacts	ΦA	L max
04	AWG 18	27.2
06		
(2 contacts)	AWG 18	27.2
(4 contacts)	AWG 22	27.2
10	AWG 22	27.2
14	AWG 22	29.2
22	AWG 26	25.7

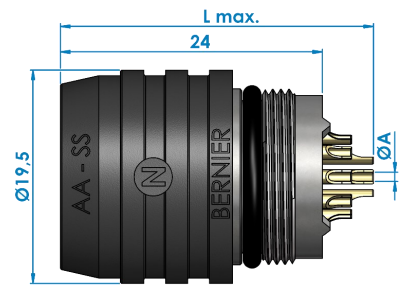


## ◆ Type 5 Quick releasable plug with solder cup contacts



Ex: CMA L 5N14

Number of contacts	ΦA	L max
04	AWG 18	27.2
06		
(2 contacts)	AWG 18	27.2
(4 contacts)	AWG 22	27.2
10	AWG 22	27.2
14	AWG 22	29.2
22	AWG 26	25.7

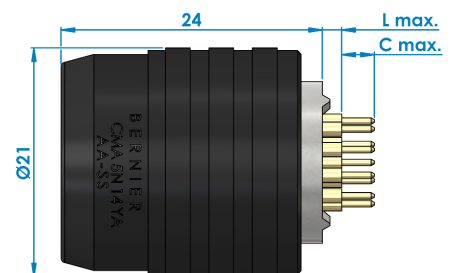


## ◆ Type 5 Push-Pull plug with contacts for PCB



Ex: CMA 5N14YA

Contact type	L max	C max
Y	-0.3	1.2
YA	1.8	3.2

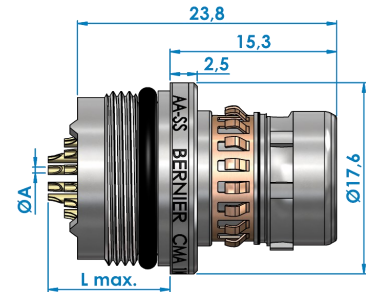


*Version 5 Quick releasable plug with contact for PCB possible*

## ◆ Type 1 Extension with solder cup contacts



Number of contacts	ΦA	L max
04	AWG 18	11.4
06 (2 contacts) (4 contacts)	AWG 18 AWG 22	11.4
10	AWG 22	11.4
14	AWG 22	13.4
22	AWG 26	11.4

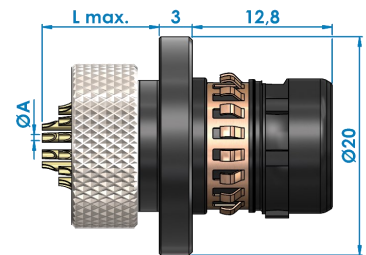


Ex: CMA 1N22

## ◆ Type 1 extension with solder cup contacts and integrated backshell



Number of contacts	ΦA	L max
04	AWG 18	10.9
06 (2 contacts) (4 contacts)	AWG 18 AWG 22	10.9
10	AWG 22	10.9
14	AWG 22	12.9
22	AWG 26	10.9



Ex: CMA 1N22SP



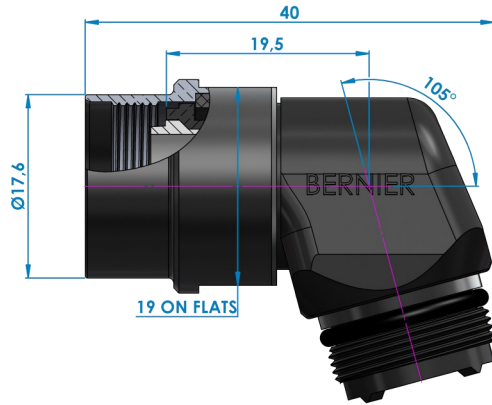
BERNIER

CMA

## ◆ Elbow part with a 105° angle



CMA RA8

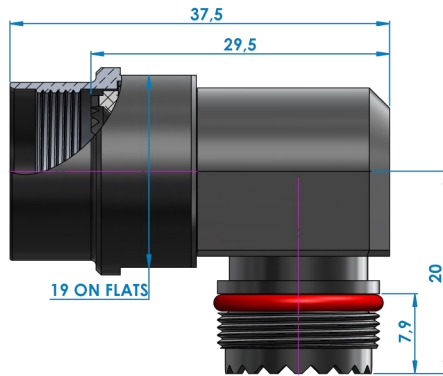


Orientation choice by angle of 20° set when tightening the backshell

## ◆ Elbow part with a 90° angle



CMA RA82

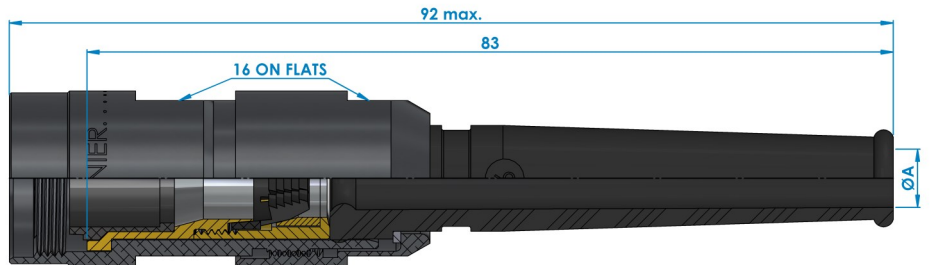


Orientation choice by angle of 20° set when tightening the backshell

## ◆ Straight backshell with sleeve



Size XX	ΦA
45	4.5
55	5.5
60	6
70	7
80	8



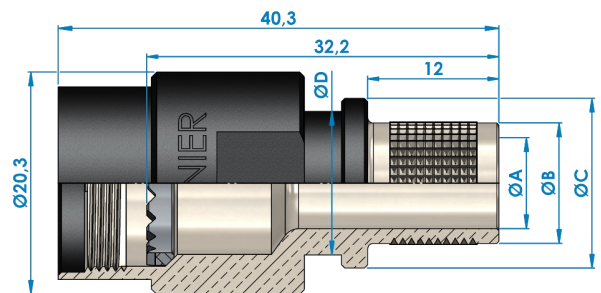
CMA RA7-XX

Cable clamp and sleeve included

## ◆ Straight backshell with knurling



Size XXX	ΦA	ΦB	ΦC	ΦD
52	5.2	8.5	13.5	11.5
64	6.4	9.6	13.9	11.5
79	7.9	11.2	15.5	13.1
95	9.5	12.8	17.1	14.8
111	11.1	14.3	18.7	16.3
127	12.7	15.9	20.3	17.7



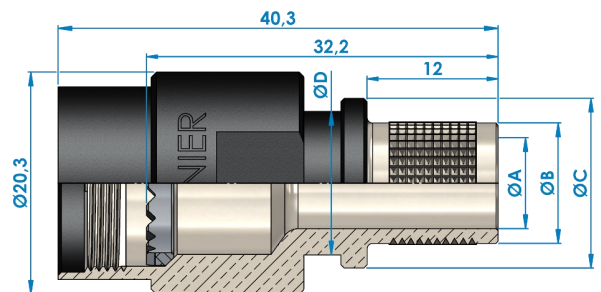
CMA RA18-XXX

Backshell for cable assembling with metallic collar and heat-shrink boot (not included)

## ◆ Straight backshell with knurling



Size XX	ΦA	ΦB	ΦC	ΦD
52	5.2	8.3	15.5	13.1
64	6.4	9.4	15.5	13.1
79	7.9	11	15.5	13.1
83	8.3	11	15.5	13.1



CMA RA24-XX

Diameters C and D don't change.

Backshell for overmolding or cable assembling with metallic collar and heat shrink boot (not included)





CMA

BERNIER

# Backshells

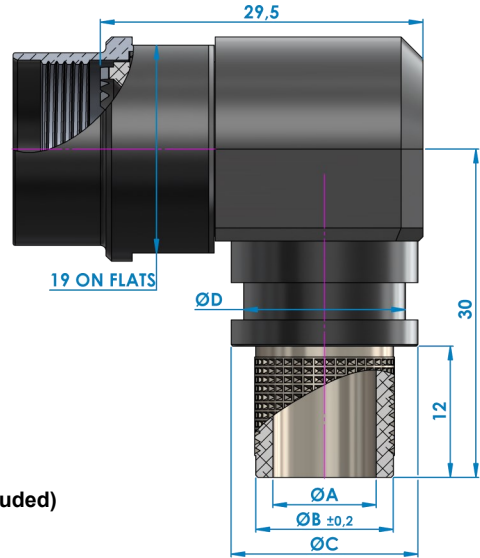
## ◆ Elbow backshells with knurling



CMA RA81-XXX

Size XXX	φA	φB	φC	φD
52	5.2	8.5	13.5	11.5
64	6.4	9.6	13.9	11.5
79	7.9	11.2	15.5	13.1
95	9.5	12.8	17.1	14.8
111	11.1	14.3	18.7	16.3
127	12.7	15.9	20.3	17.7

Backshell for cable assembling with metallic collar and heat-shrink boot (not included)



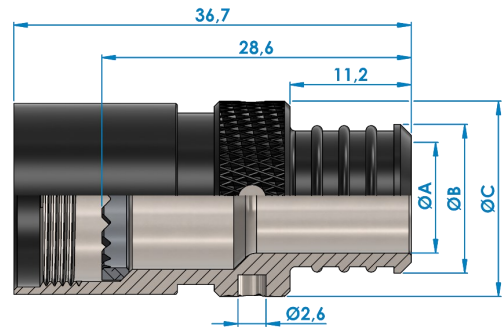
## ◆ Straight backshell with knurling



CMA RA02-XX

Taille XX	φA	φB	φC
10	10	13.7	18

Backshell for cable assembling with metallic collar and heat-shrink boot (not included)

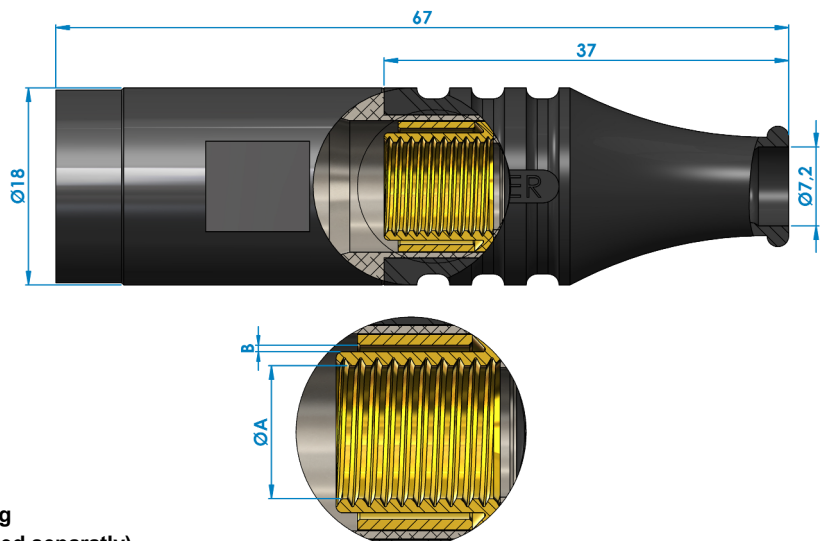


## ◆ Unremovable straight backshell



CMA RA1XX

Size XX	φA	B
01	9.25	0.2
02	10.25	0.5
03	10.6	0.4



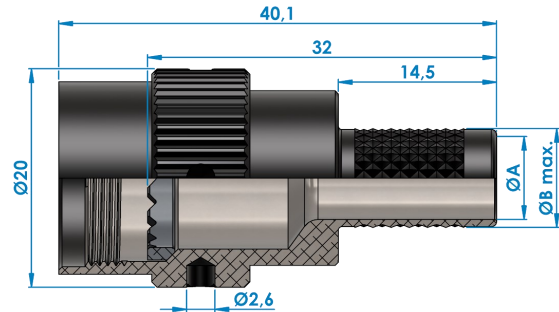
Backshell with a crimping operation during assembling to fit with accuracy to the cable (Crimping tools supplied separately)

## ◆ Straight backshell with knurling



CMA RA17-XX

Size XX	φA	φB
76	7.6	9.3

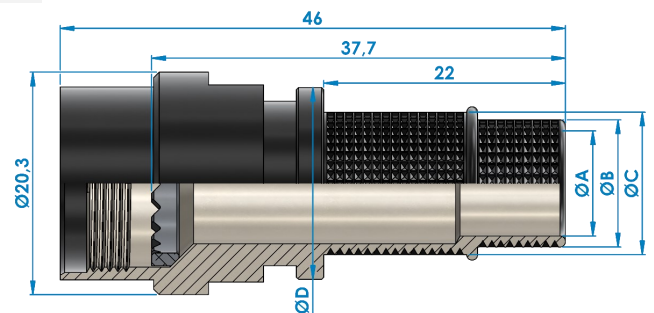


## ◆ Straight backshell with double knurling



CMA RA19-XX

Size XX	φA	φB	φC	φD
95	9.5	11.6	13	17.5

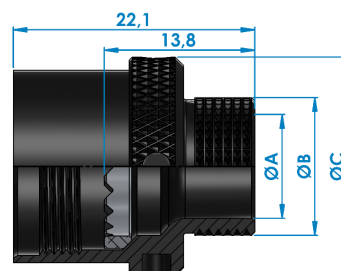


## ◆ Short backshell



CMA RA09-XX

Size XX	φA	φB	φC
95	9.5	12.6	20



Backshells for cable assembling with metallic collar and heat-shrink boot (not included)



### ◆ Plug caps



Ex: CMA BA06MC

With...	Thermo-plastic <i>Watertight</i>		Metallic black <i>Watertight</i>	
	Cord	Microcable	Cord	Microcable
Ferule*	CMA BA06-200ST	CMA BA06MC-200ST	CMA BA65-200ST	CMA BA65MC-200ST
Plastic clamp	CMA BA06	CMA BA06MC	CMA BA65T	CMA BA65MCT

\* Ferule is delivered separately to crimp it during cable assembling with the best fixing length.

Note that for plugs without locking system (SC type) a special cap is necessary, please contact us.

Stock cap
CMA BASFIL



### ◆ Caps for receptacles types 3, 6 and 7



Ex: CMA BA86-35MC

Avec...	Elastomer cap <i>Watertight</i>		Push-Pull metallic cap * <i>Watertight</i>	
	Cord	Microcable	Cord	Microcable
Metallic ring	CMA BA86	CMA BA86-35MC	CMA BA100xxxEM	CMA BA100xxxMCEM
Crimped eyelet for M3	CMA BA98	CMA BA98MC	Contact us	Contact us
90° crimped eyelet for M3 screw	CMA BA81	CMA BA81MC	Contact us	Contact us
Eyelet for M3 screw	CMA BA91	CMA BA91MC	Contact us	Contact us
Specific eyelet attached to 3 caps	CMA BA84	CMA BA84MC	Contact us	Contact us

\* Metallic cap part number contains the keyway and the number of contacts (xxx) of the connector it covers ex : CMA BA100W22MCEM

For type R7 receptacle, you must consider the extension cap with an above panel fixing.

Stock cap
CMA BA20



Please contact us for part number confirmation



**Nylon cord is nearing obsolescence ! (Microcable is recommended for new projects)**

## ◆ Extension caps



Ex: CMA BA11MC



Ex: CMA BA100N22MC-200ST

Avec...	Elastomer cap		Push-pull Métallic cap* <i>Watertight</i>	
	Cord	Microcable	Cord	Microcable
Ferule**	CMA BA94-200ST	CMA BA94MC-200ST	CMA BA100xxx-200ST	CMA BA100xxxMC-200ST
Plastic clamp	CMA BA11	CMA BA11MC	CMA BA100xxxT	CMA BA100xxxMCT

\* Metallic cap part number contains the keyway and the number of contacts (xxx) of the connector it covers ex : CMA BA100W22MCEM

\*\* Ferule is delivered separatly to crimp it during cable assembling with the best fixing length.

Stock cap
CMA BA20



## ◆ Terminations

Some terminations can accept several lanyards

Plastic clamp



Ferule



Metallic ring



Eyelet for M3 screw



Crimped eyelet for M3 screw



90° crimped eyelet for M3 screw



Nylon cord is nearing obsolescence ! (Microcable is recommended for new projects)



## ◆ Connectors with electronic functions integrated

User authentication module



Crypto / Shunt

Wireless module



Bluetooth antenna

Memory key



Several memory sizes available

Adaptator



CMA—Industrial connector (RJ45, USB, HDMI, ...)

## ◆ Special connectors

Plug with special shapes for rackable system



CMA 14N06

Panel plug with removable insulator



Used on maintenance of crypto device

105° Elbow adaptator with point to point cabling



CMA plug - CMA extension



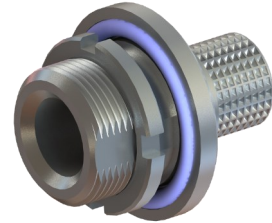
## ◆ Panel throughs

Similar to CMA RA7-XX backshell construction



B456

For cable shield continuity and heat-shrink boot



B459

## ◆ Development of products in the CMA environment

Double cap for BNC receptacle and antenna connector

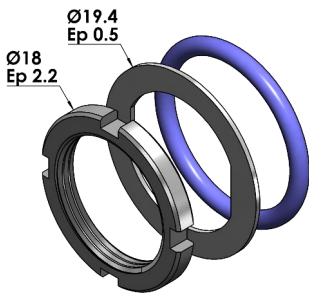


B598

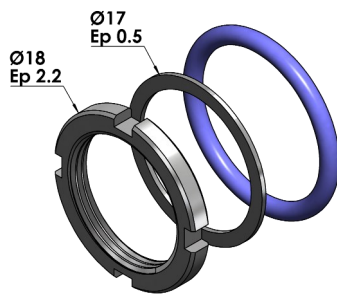


## ◆ Accessories

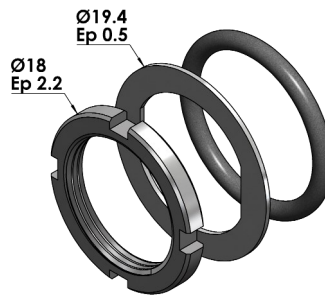
Kits with Oring Washer and Nut for receptacle type 7 and R7	Part numbers
Kit Oring-Washer-Nut (standard)	BEN000ME000
Kit Oring-Circular washer-Nut	BEN000ME001
Kit conductive Oring-Washer-Nut (JC fluorosilicon charged Nickel-Graphite)	BEN000ME002
Kit conductive Oring-Washer-Nut (JC1 fluorosilicon charged Silver-Aluminium)	BEN000ME003



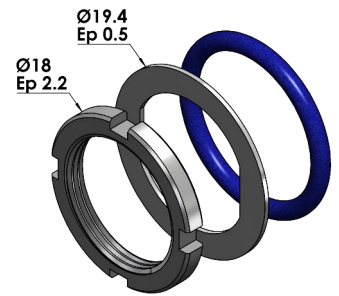
BEN000ME000



BEN000ME001

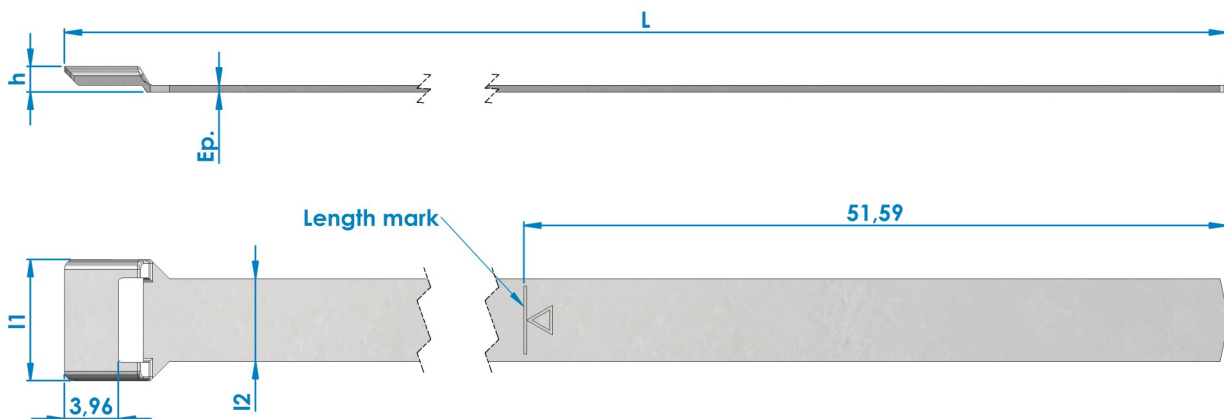


BEN000ME002



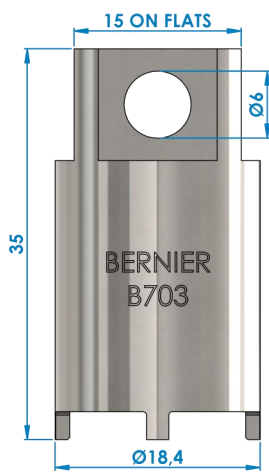
BEN000ME003

Metallic clamp for backshells	PN	L (mm)	h (mm)	l1 (mm)	l2 (mm)	Ep. (mm)
Metallic clamp width 6.10mm	B593	362.1	1.88	8.9	6.1	0.51
Metallic clamp width 3.17mm	B452	206.4	1.35	5	3.1	0.4

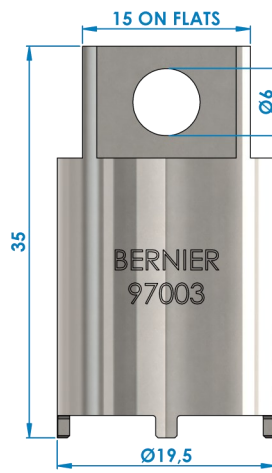


## Tools

Tightening tools	Part numbers
Tightening key for receptacles type 7	B703
Tightening key for receptacle type 2 and panel plugs type 18	97003
Tightening key for panel plugs types 11, 17 and 19	90006
Tightening key for panel plugs type 18	BAC000MEGR2



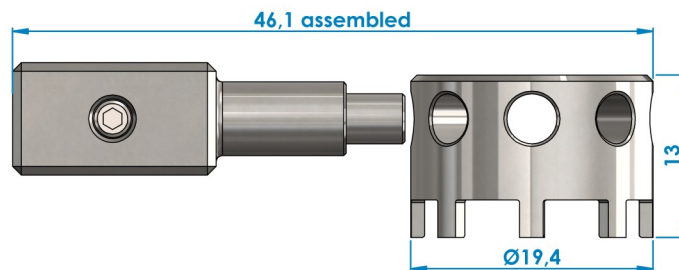
**B703**



**97003**



**90006**



**BAC000MEGR2**

## Tightening torque

Connector material	Torque For receptacle types 3, 7 and R7	Torque For backshells
Stainless steel	9 N.m	6 N.m
Bronze	11 N.m	6.1 N.m
Navy stainless steel	9 N.m	6 N.m



**BERNIER**

CMA

## ◆ Tools

Mechanical counter part	Part number
Antirotation plug to tighten the backshell on extension with xx contacts	BOUExxMENA01
Antirotation receptacle to tighten the backshell on plug with xx contacts	BOUFxxMENA01



Ex: BOUE14MENA01



Ex: BOUF14MENA01

Electrical counter part	Part number
Panel plug to test all keyways receptacle and extension	CMA 12TxxYA ( xx : number of contacts)
Receptacle to test all keyways plug	CMA 7TxxY1 (xx : number of contacts)



CMA 12T14YA



CMA 7T14Y1

*Available with solder cup contacts*

## ◆ Tools

For cap installation	Part numbers
Tool to crimp the ferule on microcable	BOU000MESE01
Tool to crimp the ferule on the nylon cord	B705



**BOU000MESE01**



**B705**



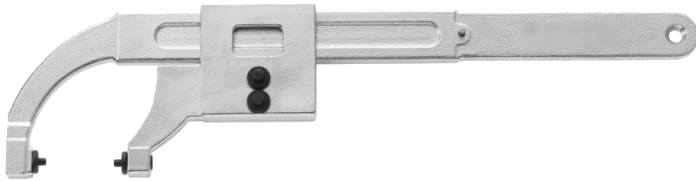


**BERNIER**

CMA

## ◆ Tools

For the backshell tightening	Part numbers
Tool to crimp the metallic clamp width 6.10mm	BOU000MESE02
Tool to crimp the metallic clamp width 3.17mm	BOU000MESE03
Crimping jaws for CMA RAI-XX backshell	B458
Pneumatic tool for the crimping jaws B458	RH50
Tightening tool for CMA RA02-XX backshell	B704



**B704**



**BOU000MESE02**



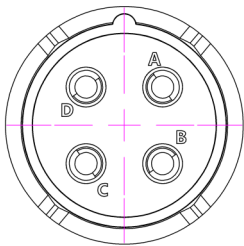
**B458**



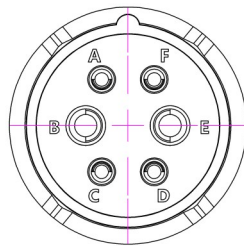
**RH50**

## ◆ Contacts position on plugs

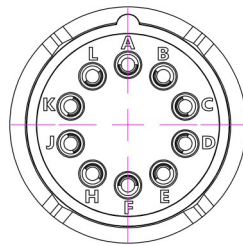
Welding side view



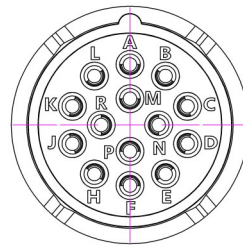
04 Contacts



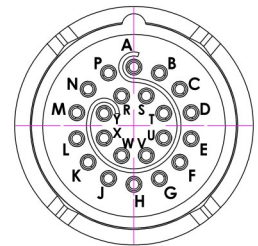
06 Contacts



10 Contacts



14 contacts



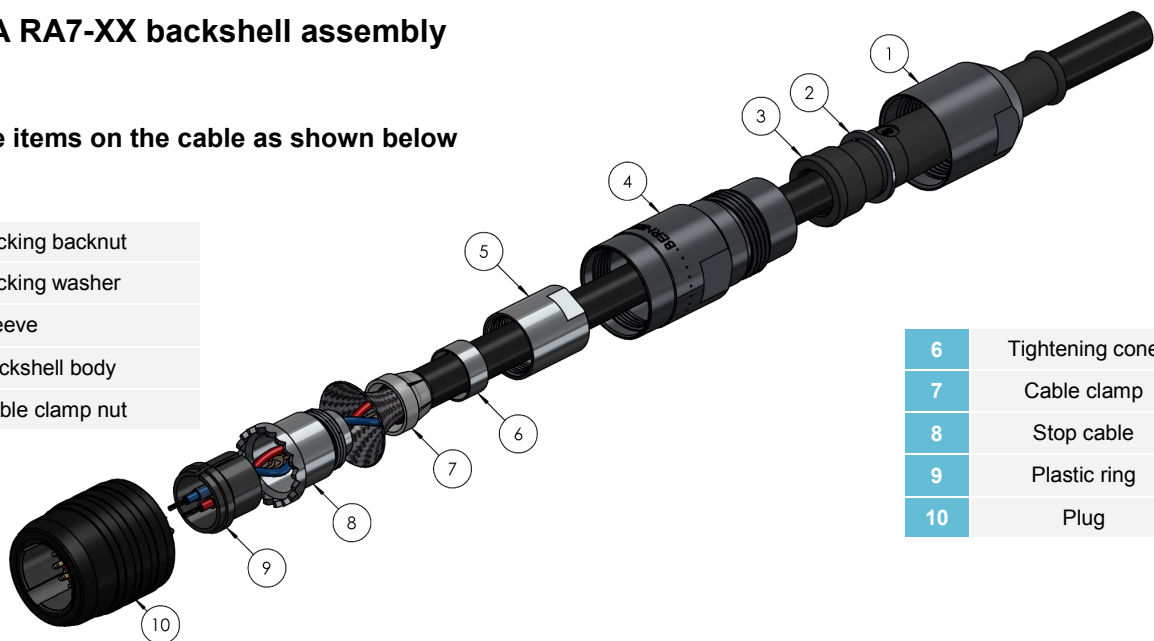
22 Contacts

For types 1, 3 and 7 : consider the reverse

## ◆ CMA RA7-XX backshell assembly

Slide items on the cable as shown below

1	Locking backnut
2	Locking washer
3	Sleeve
4	Backshell body
5	Cable clamp nut



6	Tightening cone
7	Cable clamp
8	Stop cable
9	Plastic ring
10	Plug

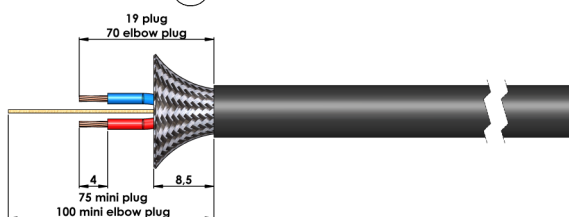


Fig. A

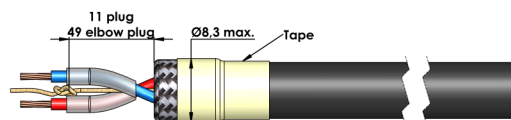


Fig. B

- A- Prepare the cable following Fig.A and Fig.B. The 'elbow plug' is the addition of an elbow part CMA RA8 between items 9 and 10.
- B- To facilitate soldering operation, mate item 10 on counterpart tool BOUExxMENA01 (xx number of contacts).
- C- Solder the wires (protection with heat-shrinkboots recommended).
- D- Make a knot strongly tightened with the cable cord and introduce the knot in the slot of the plastic ring 9, cut extra nylon cord.
- E- Bring the plastic ring 9 on the head of plug 10.
- F- Slide the stop cable 8 on the plastic ring 9.
- G- Spread the cable shield on the stop cable 8 and maintain it with the cable clamp 7.
- H- Cut the extra cable shield.
- I- Slide the tightening cone 6, then the cable clamp nut 5 and screw it on the stop cable 8.
- J- Screw the backshell body 4 on the head of plug 10 mounted on the counterpart tool BOUExxMENA01.
- K- Introduce the end of the sleeve 3 inside the backshell body 4. Put the locking washer in its place on the sleeve 3.
- L- Screw the locking nut 1 on the backshell body 4 with a dynamometric key, tightening torque : 6N.m

**ATTENTION :** These information are only for information, procedure may vary following the type of cable and the number of contacts.

## ◆ Cabling overview for CMA RA18-XXX and CMA RA24-XXX backshells



1

- Prepare cable and backshell items (metallic clamp and heat shrink boot not included in the backshell part number)
- Solder the cable wires on the connector contacts

2

- Tighten (with the recommended torque) the backshell on the connector.
- Tighten the metallic clamp to fix the cable shield on the backshell knurled area.
- Cover with a heat shrink boot, a molded part or proceed an overmolding operation.

## ◆ Cabling overview of CMA RAIXX backshells



1

- Prepare cable and backshell items
- Solder the cable wires on the connector contacts

2

- Tighten (with the recommended torque) the backshell on the connector.
- Bring the assembly 'Ferrule-shield-cable ' in position inside the backshell pulling on the cable.
- Proceed the crimping operation following the datasheet and the recommended tools.

3

- Bring the Orings and the elastomer sleeve in position.

## ◆ Cabling overview of CMA RA81-XXX backshells



1

- Prepare cable and backshell items
- Solder the cable wires on the connector contacts

2

- Tighten (with the recommended torque) the backshell free ring on the connector giving the orientation wanted. (Orientation of the elbow by angle of 20°).
- Tighten the metallic clamp to fix the cable shield on the backshell knurled area.
- Cover with a heat shrink boot, a molded part or proceed an overmolding operation.



**CMA Serie**  
Push-Pull / Quick-Releaseable Connector

... For an optimum data transfer in harsh environments !

Catalog

Revised 23-JUNE-2016  
www.bernier.tm.fr

**CMASD Serie**  
Push-Pull Connector

... Toughness and reliable high speed data transfer in small dimensions !

Catalog

Revised 10-JUNE-2016  
www.bernier.tm.fr

**CMALD Serie**  
Push-Pull and Quick-Releaseable Connector

... Toughness and Ergonomics allied with a high contact density configuration !

Catalog

Revised 10-JUNE-2016  
www.bernier.tm.fr

**MMC Serie**  
Compact Quick-Releaseable Connector

... for a robust and ergonomic high-speed data connection !

Catalog

Revised 10-JUNE-2016  
www.bernier.tm.fr

**PAM Serie**  
Bayonet Connector

... the good connection for your tactical equipments !

Catalog

Revised 23-JUNE-2016  
www.bernier.tm.fr

**55116 Serie**  
Bayonet Connector

... The Crypto and Audio communication standard !

Catalog

Revised 23-JUNE-2016  
www.bernier.tm.fr

**221 Serie**  
Quick-Releaseable Connector

... Easy use and communication reliability in operation !

Catalog

Revised 23-JUNE-2016  
www.bernier.tm.fr

**POW Serie**  
Power Connector

Catalog

Revised 10-JUNE-2016  
www.bernier.tm.fr

**360L6 Serie**  
Avionic Connector

... the best connection for On Board communications !

Catalog

Revised 23-JUNE-2016  
www.bernier.tm.fr

**B600 Serie**  
Quick-Releaseable Connector

... Secure connection for light vehicles !

Catalog

Revised 23-JUNE-2016  
www.bernier.tm.fr

**JCC Serie**  
Jack Connector

... For a basic but secured connection on communication equipments !

Catalog

Revised 23-JUNE-2016  
www.bernier.tm.fr

**U Serie**  
Audio Connector

... The Toughest solution for audio applications !

Catalog

Revised 23-JUNE-2016  
www.bernier.tm.fr

**CCF700 Serie**  
Coaxial connector

... the suitable connector for cockpit equipments !

Catalog

Revised 23-JUNE-2016  
www.bernier.tm.fr

**MH Serie**  
Hexagonal Connector

... suitable for command signals !

Catalog

Revised 23-JUNE-2016  
www.bernier.tm.fr

**BERNIER Services**  
Solutions • Operations • Products

... Innovation and Technologies knowledge for your project solution !

Catalog

Revised 10-JUNE-2016  
www.bernier.tm.fr

**Relays**  
H • PC16 • MTD

... The right solution for the command of Electrical/Power systems !

Catalog

Revised 23-JUNE-2016  
www.bernier.tm.fr

Find more on

[www.bernier.tm.fr](http://www.bernier.tm.fr)

This catalogue and its content are BERNIER property, all rights reserved  
All information contained in this catalogue can be changed without prior notice  
Dimensions in mm